



Packington Celebrates Queen's 90th Birthday In Style



Children's Street Party

The forecast looked poor and the morning clouds looked a little menacing, but thankfully the weather held out for what turned out to be a very successful Children's street party. Well-over 200 adults and children attended the fun and games. The event started with Geoff and Doreen's Treasure hunt in the morning which was very well supported. The afternoon street party commenced with the fancy dress parade, followed by a range of Victorian children's games. It was great to see the local children and adults, rediscovering some of the old fashioned games such as; jump rope, hop- scotch, flick-cards (a game that Chris Miles, The Parish Chairman, proved to be a real dab hand at) and hoola hoop.

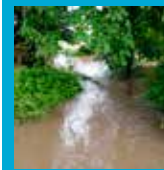
At 3.30 the games stopped and everyone got stuck into "high tea"; which the Ritz hotel would have been proud of.

The 'Balloon man' was kept busy all afternoon making an array of shapes. He was only meant to stay an hour but the demand from the children insured he was there all afternoon.

There are too many people to thank but we must give special thanks to the Parish council for helping to fund the event, the WI for producing all the cakes, the Youth Club for providing volunteers and the popular candy floss machines. Last and not least a big thank you to all the members of the Memorial Hall working group who worked tirelessly behind the scenes to make the event so successful.

Terry Hammond 415764

See Page 3 for more photos and report on the Birthday Bash



Floods

See Page 3



Celebrations

See Page 5



Annual Show

See Page 10

Have You NEWS for the POST?

Want to get involved?

Editor

Mike Coke - 560430
editor@packington.info

Treasurer

Peter Wozywoda - 417928

Editorial Team

Adrian Mongredien - 564613
Marie Beaumont - 07876765677
Bob Walker - 415732
Rachel Wozywoda - 417928
Wes Ewing - 411337
Position Vacant - Apply

Website

Robert Dilworth - 411673
robert@packington.info

Alerts

Stephen Plummer - 412963
alerts@packington.info



Villagers versus Ash Dieback

This is how The Woodland Trust headed an article in the latest issue of "Broadleaf" their quarterly magazine. Ash Dieback, or "Chalara" is a fatal disease which has infected 90% of Ash trees in Denmark, where it started, and is now relentlessly spreading across England. One village in Hampshire "Ashmansworth" (very close to where "Downton Abbey" is filmed) decided to do something about it before the prospect of a treeless environment around their village became a reality. They contacted the "Woodland Trust" who despatched their man Jim Rice to advise on what could be done. Last November 700 free trees were dished out at the Village Hall and planted in gardens, hedges, and on the village green. The local village organiser commented "Everyone thought it was a bonkers idea at first but 50 people turned out on the day (out of a total population of just over 150). Local farming folk have taken notice so there may be a chance to plant more". The Woodland Trust says "The Trust would love to hear from other have- a- go groups across the UK. What's happened in Ashmansworth is heart-warming especially as it's those lone ash trees scattered across villages, towns and farms that will be toughest to replace. We're issuing 1,000 special tree packs to mitigate the impact

of Ash Dieback at 40% of cost price – and if communities have their own special planting needs we'll do our best to help". Given that the Parish Council now has grants from local solar farms coming in annually, does anyone else in Packington consider that some of this money could be usefully spent in taking up The Woodland Trust's offer to help maintain, replace, and increase the number of beautiful trees which currently enhance our village, for the benefit of residents of Packington in the future?



Just walk along Mill Street near the brook and imagine what it would be like without trees.

Adrian Mongredien 564613

Youth Club

This term is a short one and we have made pizza using the herbs from our 'grow your own night' which we thank the horticultural society for providing, along with the compost and containers.



We have made Father's Day presents with a crispy twist, debated the EU referendum and taken a youth club vote to see whether the youth of Packington think we should stay or leave Europe. Also we have tried to break our own record whilst looking at other record breaker achievements!!



Thank you to David and John Marriott from the bumble racing team for bringing their 2016 Ferrari and 1965 Mustang to youth club for us to look at. It was very exciting and we had a great time! Sarah also brought her Lotus for everyone to have a sit in too!

**Carla Harris-Marsh
07799020174**



what a great turn out to help put away. At 9.30am people appeared and by 10.30 it was done. That tent was oh so easy to take down! Can I say a big thank-you on behalf of the village to all who made the Queen's Celebration day so successful ; the food teams; the helpers; the Youth club; DJ John; Becky and Richard; Phil and Emma; the Muscle and to everyone who came to the events.

Chris Miles

PARTY IN THE PARK

Did you enjoy the Birthday Bash for the Queen's birthday held on the recreation Ground? Then you might like to volunteer to run a similar event next year.

Carla Harris-Marsh has agreed to co-ordinate an initial meeting. Please contact her ASAP. Please don't leave it to others or leave it too late.

Register your interest carla@harris-marsh.com.
07799020174

Thanks from the 90+'s

For friendliness and consideration grow old in Packington. Everyone knows this, but we had another example at the Queen's Birthday Party. The 90+'s had an invitation that included flowers for the ladies and mugs for the men. Also the pleasure of being among the young people and the kids, at an obviously happy gathering. As usual our thanks to everyone who so willingly work at the organisation and the carrying out of these events.

Ruth and Arthur Morris

Getting ready for the "Birthday Bash" we set up on Friday afternoon and despite a hiccup trying to find the right tent top for the frame we eventually put together, the hardware needed for the event. The guys and ladies who turned up to help were fantastic.

On the day Gazebos started to appear at 7pm and the weather which had held fair in the afternoon was warm but cloudy. Emma and Phil from the Bull and Lion were in place with their homemade bar in the frustrating tent from the day before. They had both gone to a great deal of hard work to provide a large array of beers and lagers. In the other tent, Rebecca and Richard had everything under control with the Hog Roast. Nearly 150 people had pre-ordered and the Hog team had been well rehearsed in moving fast to serve at 8.30pm. Things were going well. The youngsters were enjoying 'keepy uppy', tug-o-war and skiing on boards for three people. No injuries were reported but it looked quite painful! The high-light in the games hour was the

trouncing suffered by the Packington men by the Ladies of the Parish in their tug -o-war competition. The men have demanded a re-match.

At 8-30 supper time and liquid refreshment was the call and our own DJ John came into his own. In his own special trailer DJ John set about his music and engaged many of us singing those lasting pop classics. At ten minutes to nine the rain which had been threatening, arrived slowly and by 9-30 had some disappointed party goers scrambling towards their protective homes.

Those with gazebos and very large, strong umbrellas stayed, with many defying the rain by dancing in front of DJ John's trailer. Some kids were even playing football throughout the evening finishing off at nearly 11 o'clock by making a mud bath! They loved it!

Despite the damp conditions many said it was great and would like to stage more impromptu picnics on the Rec. So sign up to the Mums Facebook and go when the weather is set fair.

Finally the day after

Parish Council meetings are usually held on the first Tuesday of the month. However, the next one is scheduled for the 9th August due to holiday commitments. At July's meeting the question of a developer's contribution toward the reduction of phosphorus in the water of the River Mease was a main topic. Currently, house development in this area has stopped as the previous quota of development had been reached. N W L District Council has therefore submitted a consultation, (DC2) for another policy to extract money from developers to again offset the build-up of phosphorous in the river Mease, which is a Special Area of Conservation. You can find this consultation on the NWLDC website. The Parish Council are in the process of responding to this consultation and urge anyone concerned with the environment to also make comment! To put this new policy into context, the Parish Council have been reliably informed that the previous policy has shown a number of concerns. They are; from an estimated contribution by developers of £640,000 only £149,000 has been paid in; funds have been spent on actions which have not mitigated the problem of phosphate build up; the phosphate concentration has increased; none of the mitigating actions mentioned in DCS1 has started. The Council will bear these points

in mind when responding to DCS2

The long awaited Local Plan for N W L has been published and has been released for final comments before it is submitted to the National Planning Inspectorate for approval. Again this can be viewed on the N W L D C website.

The Parish Council considered an application for seven houses in open countryside on the approaches to Packington from Ashby. The Council agreed to object to this proposal and has asked that this application be "called in" and discussed at a District planning meeting if the planning Officers recommended permission.

The main reasons for objection are; the site is outside the limits of development; it is detrimental to the countryside; the site has already recently been refused house development; the application will have little bearing on the Districts five year land supply.

The July meeting also heard a report from the Chairman concerning the celebrations for the Queen's Birthday on June 11th. The Parish Council wish to extend a big thankyou to all who helped and came to this event and made it so successful.

Well done Packington!

Chris Miles (chairman)

Recreation Ground Charity.

The much loved and used play area on the Recreation Ground was inspected by ROSPA on June 2nd and a number of concerns were brought to the attention of the Trustees. The main concern were the swings, which now have been removed. We understand that the wooden supports were showing weakness and will have to be replaced. The Trustees have arranged a site meeting to discuss the situation with the equipment makers and installers, Playdale on Thurs 14 July. We will endeavor to restore the playground as soon as possible. There may be a cost for restoration and we will keep you informed of developments as we progress.

Paris Council, Trustees

Little Lane

Do you use Little Lane to travel to and from school or perhaps to walk your dog? Then you will know the verges are in a terribly overgrown state. The Parish Council have contacted LCC Highways but so far no action! You can help by adding your voice. Ring LCC Highways on 0116 305 7422 complaints@leics.gov.uk and record your disgust at



FIRST WEDNESDAY COFFEE MORNING
Join us for a relaxing tea or coffee and chat
3rd August & 6th September
Meeting Room, Memorial Hall
10.00 to 12.00



Stephen & Jane Bryan from High Street, Packington were honoured to receive an invitation from Her Majesty The Queen to attend a Royal Garden Party at Buckingham Palace on May 19th. The afternoon was run with military precision, culminating in the arrival of The Queen and The Duke of Edinburgh and other members of the royal family including The Prince of Wales and Duchess of Cornwall, The Princess Royal, The Duke and Duchess of Kent and The Duke and Duchess of Gloucester. Guests were allowed to wander through the 42 acres of palace gardens, a haven in the middle of London's hustle and bustle.

Stephen received the invitation in recognition of his contribution to the Leicestershire & Rutland Bench as one of the longest serving Magistrates, with over 30 years' service. Stephen commented "It was an honour to represent Leicestershire & Rutland Branch of The Magistrates Association at this special occasion, especially in Her Majesty's 90th year."

By coincidence another couple from the village were also at the same event.

On May 19th Chris and I attended a garden party at Buckingham Palace as part of the BEM celebrations. The sky was overcast but there was no rain. We knew that each Garden Party hosted 8000 people so went to queue up reasonably early. There were many sightseers so we looked for those in suits and hats and joined them.

Each had a story to tell and it was very humbling to be with such a wonderful group of 'unsung heroes'.

We went through the main entrance, having shown our passports; then through two reception rooms and out on to the terrace. What a garden! With two large gazebos to accommodate the two bands, the queen's tent and the enormous tea tent. This opened at 3.30 and we chose our drinks, sandwiches and cakes - all really beautiful.

At 4pm the Queen and her party arrived and we were able to see her really close to. Some people had been preselected to speak to Her Majesty and she seemed really interested in them. Later we were able to wander in the extensive gardens and finish with an ice cream. The Queen left at 6 pm and people began to leave.

It was a most memorable day.

Chris receives the BEM



On 23rd of June Chris was presented with his British Empire Medal at County Hall by Lady Gretton, the Lord Lieutenant.

There were four other recipients of the medal from Leicestershire. Lady Gretton spoke about the importance of this honour and then about the work of each of the five before presenting the BEM medal.

We all felt very proud. Each medal is individual with the recipient's name engraved round the edge.

This has been a wonderful year for Chris and he so appreciates all the support and good wishes he has received. He couldn't do it without you!

Pauline

The **BEM** is a civil award for outstanding contribution to the local community.

Services at Holy Rood

July 24th Sunday

11am Holy Communion

July 31st Sunday

10am United Woodfield Team Service

at Normanton-le-Heath

August 7th Sunday

11 am Morning Prayer

6 pm Evening Prayer

August 14th Sunday

11 am Holy Communion

August 21st Sunday

11 am Morning Prayer

August 28th Sunday

11 am Holy Communion

September 4th Sunday

11 am Morning Prayer

6 pm Evening Prayer

There is also a service of Holy Communion on the first Wednesday of the month 10 am

IMPORTANT NOTICE ABOUT SUNDAY CLUB

Mrs Marlene Moylan has headed up Sunday Club for many more years than she perhaps wants to remember. Very many children have enjoyed all that she has brought of love and the Christian story to their Sunday Club meetings. However, at the end of the summer term, it has been time to retire from this role. As from September, Sunday Club will meet once a month at 11am on the 2nd Sunday of the month (11th September) at the back of church. Mrs Louise Beeston will be heading up the club. All children welcome Remember that services on the 3rd Sunday are geared to those who are young, young at heart and everything in between

Ready, Steady, Stick Summer Special!



Join us for fun & play on a special afternoon!

**Tuesday 9th
August, 2-4pm
Measham Church
Hall**

Crafts, junk modelling, games, story, songs and refreshments!

All are Welcome!
(Under 5's require an adult to stay)
Further info. from Rev Sue Bradley 01530 271327
£1.00 per child

Coffee & Chat
Holy Rood Church
Our coffee mornings are held in Church every third Wednesday of the month
All ages are very welcome
9.30am – 11.30am



Thanks to everyone in the village, collectors and donators, a sum of £878.11 was raised for Christian Aid.

History Exhibition

Working with the History Group an exhibition of 90 events in Packington was displayed in the church.



Many visitors were surprised to find out interesting facts about life in the village some dating back to the early 1900s



FOOD GUSTO

APPLEBY MAGNA FOOD GUSTO festival

SATURDAY 27TH
10.30AM - 4.30PM

SIR JOHN MOORE FOUNDATION
APPLEBY MAGNA DE12 7AH

APPLEBY FOOD GUSTO FOOD & DRINK FESTIVAL

T: 01530 411337 | WWW.FOODGUSTO.COM

History Walk

Over thirty people joined our village historian Peter Cooper on his second guided walk around the village.



This one concentrated on part of Mill Street starting at the Round House and ending at The Mill.

There was a mixture of distant and far more recent history, with plenty of opportunity to learn new things and for some to reminisce about 'the good old days'.

It was interesting to be able to compare aspects of the 1735 Estate Map and the 1882 Ordnance Survey Map with what is actually here today.

Peter talked about the old sweet shop, the possible location of the Post Office and where Mr Gurley had his narrow gauge railway.

During the 1977 Silver Jubilee celebrations the children of Packington were entertained by rides around his garden.

We also discussed the Baptist Chapel (now demolished). For many

years Packington was an important and thriving centre for the Baptist movement in this area. The grave stone of the famous Minister Joseph Goadby is still in the old burial ground.

One member of the group was delighted to learn that the old wall at the edge of his garden used to be a pub, The Hollybush!

The stroll ended at The Mill where Sarah and Ed very kindly invited us all in to view the wheel and mill workings which are now a great feature in their home. Hopefully Peter can be persuaded to do another walk in the near future!



Packington Playgroup

now have places available from September 2016 (Funded and non-funded).



Children welcome from age 2 to 5 years.
9.15am to 12.15pm
Monday to Friday
Term time only
Lunch Club available
Tuesday to Friday
12.15pm to 1.15pm

Please contact us: query@packingtonplaygroup.co.uk
Or phone 07871179776

All queries will be responded to during the summer break.. All sessions are held in Packington Memorial Hall

Event Signs or Banners
Call CONTEXT
01530 411337

Looking for the right advice?

Property Law Business Law Wills & Probate Family Law Litigation

Choose Crane & Walton for everything legal...

We provide quality services in a friendly yet professional way on a range of legal matters, including:

- Property Law and Conveyancing
- Family Law
- Inheritance Tax Planning
- Litigation
- Wills and Probate
- Lasting Powers of Attorney
- Court of Protection Applications
- Business Law
- Trusts

CRANE & WALTON
SOLICITORS

<p>Ashby Office 30 South Street Ashby de la Zouch Leicestershire LE65 1BT Tel: 01530 414111 Fax: 01530 417022</p>	<p>Coalville Office 21-25 London Road Coalville Leicestershire LE67 3JB Tel: 01530 834466 Fax: 01530 810886</p>	<p>Leicester Office 113-117 London Road Leicester LE2 0RG Tel: 0116 2551901 Fax: 0116 2555864</p>	<p>Melbourne Office William's Yard Derby Road, Melbourne Derbyshire DE73 8JR Tel: 01332 863810</p>
--	--	--	---

www.craneandwalton.com

Floods Hit Packington

On the 15 June parts of Babelake Street and Mill Street were flooded after the Gilawiskaw turned into a raging torrent.

As the levels rose cars were quickly moved to higher ground and the School was closed for the day. Some people determined to get to the office had a lift in a tractor.



One delivery van tried to pass through the water on Mill Street but broke down. It was rescued late in the afternoon by a large breakdown lorry.

Some residents had a very tense morning as the water quickly reached their properties and unfortunately some had their homes flooded.

The stream reached its highest level that anyone can remember, but this didn't last long and returned to normal later in the day.

Flood Warning

Arrangements have been made with *Environment Agency Floodline* for flood warnings to be sent to

alerts@packington.info
editor@packington.info

This means that we get the earliest possible notice to take action if necessary.



How to Receive Flood Line warnings

www.gov.uk/sign-up-for-flood-warnings

You then need to register your address. Sign up to have warning calls sent to one or more landline, mobiles (including texts) and email addresses. This is particularly useful as you may not be at home at the time and can receive texts and emails wherever you are.

0345 9881188 24 hour service

Open Farm Sunday



Another sunny day in the village brought over 1500 people to Hill Farm in Spring Lane as part of the national open farm Sunday event which promotes the farming industry and explains to the public how your food is produced and how it gets from farm to fork.

Young and old had the chance to climb into the combine harvester and tractor, see all the farm machinery needed to produce food, see displays about crops, take part in craft activities along with hook a duck for the very young!

To keep everybody's energy going; burgers, cream teas and ice creams provided a welcome distraction. As usual the Packington Shire horses and donkeys were a major attraction alongside

the piglets and young alpacas.

Many of the visitors had seen the news items on the ITV news at 1.00pm and East Midlands Today in the evening and had to come along to see the bison, red deer and alpacas as part of the farm diversification programme. Andrew and Janice would like to thank everybody who came to support the event as well as all the hard working staff on the day.

Neighbourhood Watch

performs a valuable service by monitoring and identifying potential crime issues in the village.

Katherine Pilbro has decided to stand down as the NHW Representative for High Street. We are grateful to Katherine for her contribution during her time with the Neighbourhood Watch Group. The role doesn't demand a great deal of time, it usually means attending a meeting about 4 times a year and acting as a contact for residents nearby on your street. We would like to fill this gap as soon as possible. If anyone is interested in representing NHW for High Street please contact;

Stephen Flook Home 01530 415185 Mob 07768 852363

Sflook@yahoo.co.uk

**Need Flyers Or
Leaflets?
Try CONTEXT Print
01530 411337**

Men's Group

PMG members enjoyed a bowls afternoon in June, joining with members from hosts Ashby Bowls Club. Followed by a delicious cream tea thanks to Eileen Taylor.

Next event in the calendar is The Annual Breakfast on the 11th August 2016 @ the Bull & Lion with 0815am meet for 0830am meal. The Cardiac arrestor (Full English with toast & tea/coffee) is £6-50, whilst the cardiac murmur, (Cereal, yoghurt, berries, toast, tea / coffee) is £5-00 Orders by 28th July please to **Robin Dixon 412465** robin@rdeng.co.uk

On Sept 8th a visit is planned to a mystery venue as yet not finalised. Members will be notified direct as soon as possible.

Cars will leave the village at 1.30 pm. Book your place with **Mike Coke 560430** mike.coke59@gmail.com

**Need A Website?
Call CONTEXT
01530 411337**

TEMPORARY ROAD CLOSURE OF: NORMANTON ROAD,

LCC Highways has agreed to the closure of the above road. The closure is required from the junction with Heather Lane to the junction with Coleorton Lane to allow for safe installation of a new gas connection.

The road will be closed from 7am on Monday 18th July 2016 for 4 days.

During the closure the alternative route will be: **Heather Lane, High Street, Mill Street & Vice Versa.**

TAKE CARE! THE HIGH STREET WILL BE EXTRA BUSY DURING THIS TIME

Cricket Club

Packington cricket club has made a good start in the higher division of the Derbyshire County League. As I go to press the club sits comfortably in the top half of the league table.

Giles Bee, now in the prime of his life seems to get younger, he has taken three 5 wicket hauls already this season.

His hair may be greying but his arm is still good.

The club still needs more players to sign up, if only as casuals. Packington, like many other small clubs, struggle from week to week to field a strong team.

If you fancy joining a friendly village club then ring the Chairman, Keith Baron on 01530 411297 or President Roger Muggleton on 07833445422.

This time last season the club were in the same position and look what happened, we had a great run to the end of the campaign and won promotion, can we do it again? Come and join us and help.

Film Club

"Spectre" was enjoyed by a smallish audience but everyone agreed the new sound system was a major improvement. Thanks to the Memorial Hall Committee this equipment will now be available for performances from September.

Friday September 9th



Refreshments available at 7.00 for 7.30 Cost £4.00 adults, £2.00 for u12's Future films planned are Suffragettes and the latest Star Trek movie.

Look out for details on www.packington.info

REGENT
FINANCIAL MANAGEMENT

Independent Retirement and Investment Specialists
Now based at 1 Kilwardby Mews, Ashby de la Zouch.

- Retire with confidence
- Let us show you what is available from the whole of the market.
- A safe pair of hands in a complex financial world.



Contact us today
Tel: 01530 417517
Email: admin@regentfm.co.uk
www.regentfm.co.uk

74th Horticultural Show
Saturday 3rd September
 The Packington Memorial Hall will again be hosting this major event and would be delighted if as many as possible participate. We appreciate the regular friendly faces that we see year after year but we also provide a warm welcome to all newcomers and first time exhibitors and indeed everyone that just wishes to come along and enjoy this great occasion. The entries are unlimited and schedules will be available nearer the time from Daybreak Services, Bull & Lion and by post if required.

This year's itinerary:

- 0830 – 1200 hrs, Exhibits will be booked in and registered.
- 0900 – 1200 hrs, Tea, Coffee & refreshments
- 1200 – 1500 hrs, judging of exhibits.
- 1500 hrs Bar opens.
- 1500 – 1830 hrs Tea Coffee & refreshments
- 1500 hrs, viewing of exhibits.
- 1730 hrs, Presentations and Awards.
- 1830 hrs – Whenever, our ever popular highlight of the day's events, the auction of all exhibits, our popular host and auctioneer, Chris Miles BEM, will again work his magic, the proceeds of which will be donated to a number of local charities.

So in the meantime, enjoy the summer and we look forward to seeing you all on the 3rd September. Kind regards from the PHS Committee. Kay 811494

Folk Duo to visit Packington

An award-winning folk duo are set to grace the stage at Packington Memorial Hall as they tour their brand-new album this October.

Ange Hardy & Lukas Drinkwater are two of this generations most in-demand performers. Ange has racked up countless awards for her songwriting and live performances, including a nomination at the 2015 BBC Radio 2 Folk Awards and three consecutive FATEA Magazine award wins. Ange's last two studio albums - both featuring Lukas Drinkwater on double bass and backing vocals - appeared in The Telegraph's "Best Folk Albums" lists for 2014 and 2015.

Book the Date Now

The concert will take place on **Friday 7th October** at Packington Memorial Hall, with the doors opening at 7.30pm. There will be a full bar available. Tickets are priced at £10 in advance, £12 on the door. More info later or contact Chris Miles

VILLAGE OPEN GARDENS

Bank Holiday Monday
 29th August
 Gardens Open 2.00pm – 7.00pm
 Passport to 12 gardens
 £3.50 adults, accompanied children free
Available on the day from Measham Road Car Park, Memorial Hall or participating gardens.
 Gardening stall, plants, crafts, second-hand books.
 Afternoon teas at the Memorial Hall, in the Church or at Barn Farm in Babelake Street
 Displays & live musical entertainment.
 Duck race and BBQ on Mill Street from 6pm.

Sponsored by David Granger Architectural Design Limited
davidgrangerdesign.com
 01530 560939

DAVID GRANGER
 ARCHITECTURAL DESIGN LTD

David Granger Architectural Design Ltd offer a friendly and professional service in new build, conversion or adaptation by a team committed to high quality innovative architecture.



(01530) 560939 admin@davidgrangerdesign.com
 @DCDesignLtd www.davidgrangerdesign.com

INNOVATIVE DESIGN SOLUTIONS COUNTRYWIDE



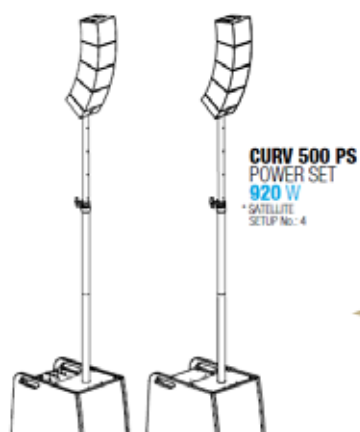

Memorial Hall News

In addition to maintaining the structure and fabric of your Village Hall, The Management Committee is constantly seeking to add to, and improve the facilities available on the premises. To this end the committee has overseen the installation of superfast broadband Wi-Fi to the Main Hall and meeting room. As well as increasing the hall's appeal for potential hirers, this enhancement will now enable afternoon sessions for "Silver Surfers" (who may wish to improve their computer skills, or just want to communicate with their grandchildren on "Facebook", "WhatsApp" or "Twitter") to take place. Look out for more details in the next edition of Packington Post.



The meeting room now boasts a large screen TV monitor, (with wall mounted loud speakers) which can be linked up to a computer. This can be used for presentations by potential hirers. It will also enable the Parish Council to access current planning information etc. during the course of their meetings. The Management Committee has also authorised the purchase of a portable stereo speaker system which was recently trialled at the Film

Club showing of "Spectre" on 10th June, when it was agreed to be a considerable improvement on the existing in-house speaker system. It will be available to other users as well as the Film Club, which resumes in the autumn.



Finally ten of the latest type "Gopak" fold flat tables are to be purchased shortly, to replace some of the current stock which "have seen better days", (most of which were in the last century!)
Adrian Mongredien



Aug 6th is the WI Charity Coffee Morning in the Memorial Hall from 10.00 to 12.00. This year proceeds will go to Hospice Hope. Please do come and join us. WI continues to meet on the first Thursday of each month. The September meeting on 1st is a talk given by Sandy Leong, "Malaysia and my Chinese Family"
Liz Deakin

Book Group

Packington Book Group meets on the 4th Wednesday of the month at 7.30 in the Meeting Room at the Memorial Hall. If you enjoy reading and would like to join us you would be very welcome. Over the next few months we will be reading:-
July 27th 'A God in Ruins' by Kate Atkinson
August 24th 'The Green Road' by Anne Enright
September 28th 'Alive, Alive Oh' by Diana Athill
October 26th 'Room' by Emma Donoghue
November 23rd 'The Warden' by Anthony Trollope.
If you would like any further information please get in touch with

Kate Mongredien 564613
kate.mongredien@tesco.net

Annual Duck Race
Bank Holiday Monday
at 6.00 in Mill Street
following the
Open Gardens.



Three Races
for All ages
Barbeque and food
stall with plenty of fun
for all the family.

Queen's 90th Birthday Celebrations

We all had a lovely time celebrating the Queen's 90th Birthday in June.

Events commenced on 9th June with a special assembly delivered by Rev Vivien after which every child received a commemorative booklet to take home.

On Friday 10th June we all wore red, white and blue and spent the morning making flags, crowns and bunting before heading outside for a 'Street Party' style lunch together. Luckily the rain stayed away!

During the afternoon we played traditional games and all enjoyed a piece of a huge cake designed by Layla Keller, who won our design competition and was able to help with the cake decorating along with other runners up. We would like to thank Susan Boulton for making the delicious cake.



Clarinets perform at De Montfort Hall

Our Clarinet players were very happy to be invited to perform at De Montfort Hall as part of the 'Leicestershire School's Music Service Summer Festival'. Our clarinet players work hard throughout the year to prepare for the performance

and 22 children attended on the day.

We had an early 8am start to enable plenty of time for rehearsals before the show commenced at 1:00pm.

Mrs Dyche commented on the 'amazing' and 'emotional' performance and said the children were 'impeccably behaved and a credit to the school'. A huge well done to all of the children for their great attitude and commitment to learning this wonderful instrument.



Year 2 Camp Out

On Friday 24th June our Year 2 children braved the great outdoors and wet weather to camp out in the school field overnight.

After waving goodbye to parents & carers, we played lots of fun games before enjoying a yummy tea of hotdogs, followed by hot chocolate and biscuits for supper.

Everyone eventually settled down well for the night but there were a few tired faces after a 4:30am wake up! In the morning we had toast and jam before heading home to catch up on some sleep! All children said they had had a great time and we would like to thank all staff and parents who helped supervise overnight.

Saffron Lane

On Thursday 23rd June a selection of Key Stage 2 children attended the annual Junior Athletics at Saffron Lane to represent our school



We entered nearly all of the events and staff were delighted with the great behaviour and team spirit the children showed. The weather was good and there was a great atmosphere amongst all the schools attending.

A great time was had by all and a special mention goes to Layla Keller who came 2nd in the Year 3 Girls 50m race and Freya Edwards who came 1st in the Year 6 Throwing. **Well Done!**

Forest Clean Ltd
Professional Carpet & Upholstery Cleaning
Eco-friendly cleaning



- Carpet, Upholstery, Rug, Curtain & Mattress Cleaning
- Stain Removal & Protection

Acorns Children's Hospice
 - for every clean undertaken we will donate £5 to Acorns Hospice

Contact Colin and Janine
Tel: 01827 830384
greatservice@forestclean.co.uk
www.forestclean.co.uk